



BAREMED®



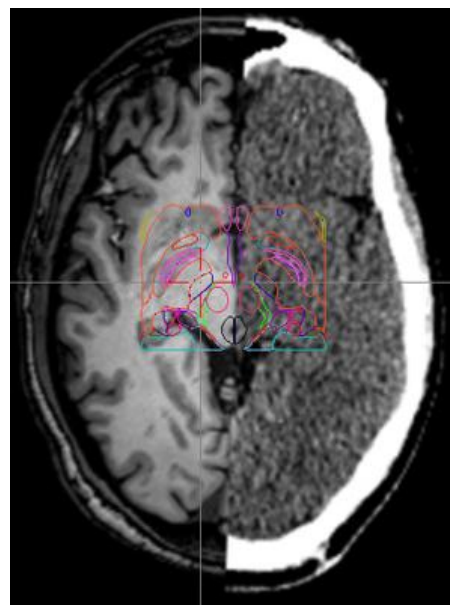
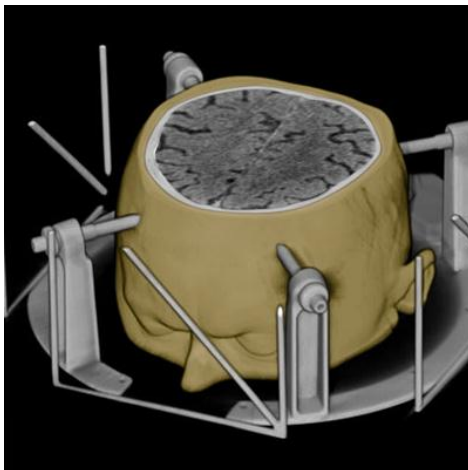
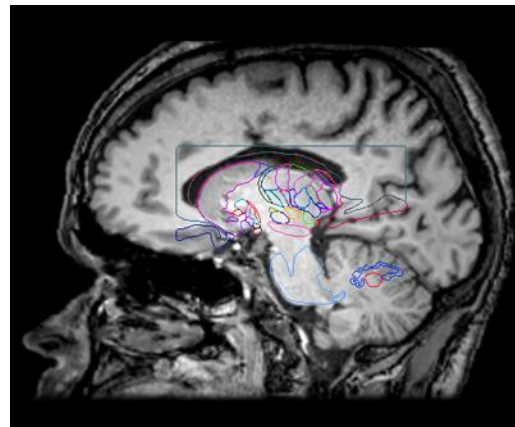
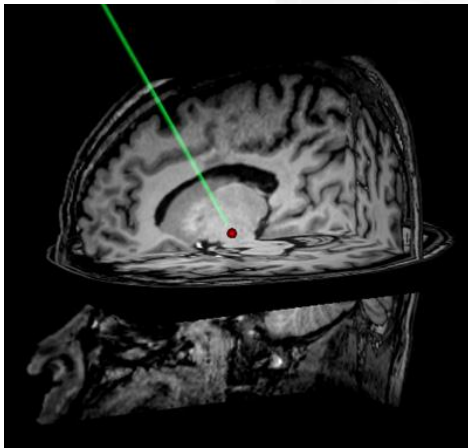
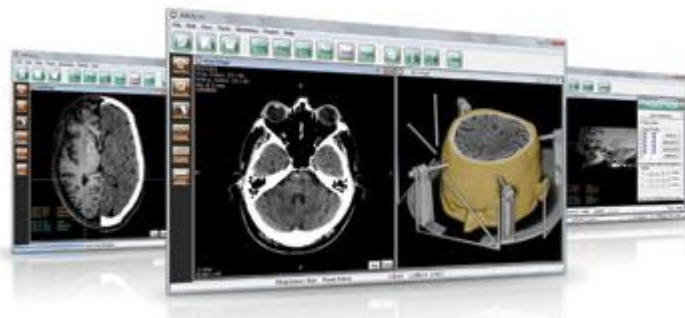
STICKERMED® *ur*

Micromar Stereotactic Equipment's bring solutions to allow the neurosurgeon to carry out his work with excellence reducing risks and assuring the very best results.

Aimsystem - Micromar Stereotactic System



Aimplan - Stereotactic Planning Software



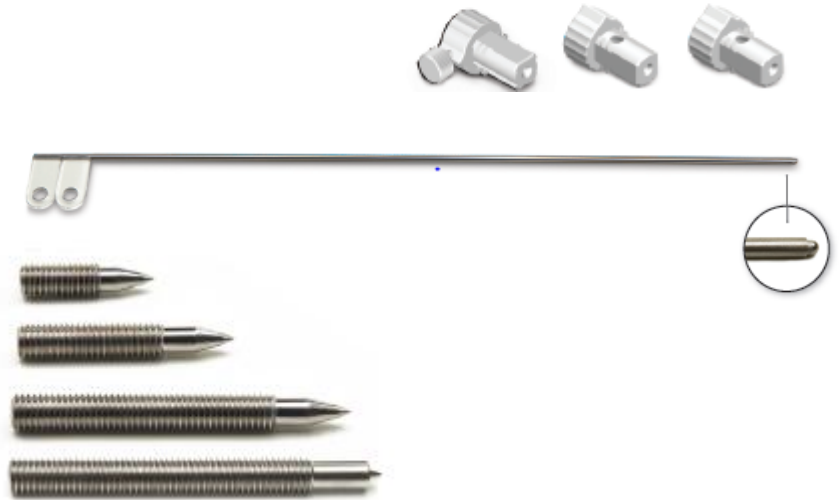
We offer complete set of cannulas, forceps and instruments of many different models for the most varied stereotactic techniques.

Microdrive



Disposable Set for

Deep Electrode Implant (DBS)*

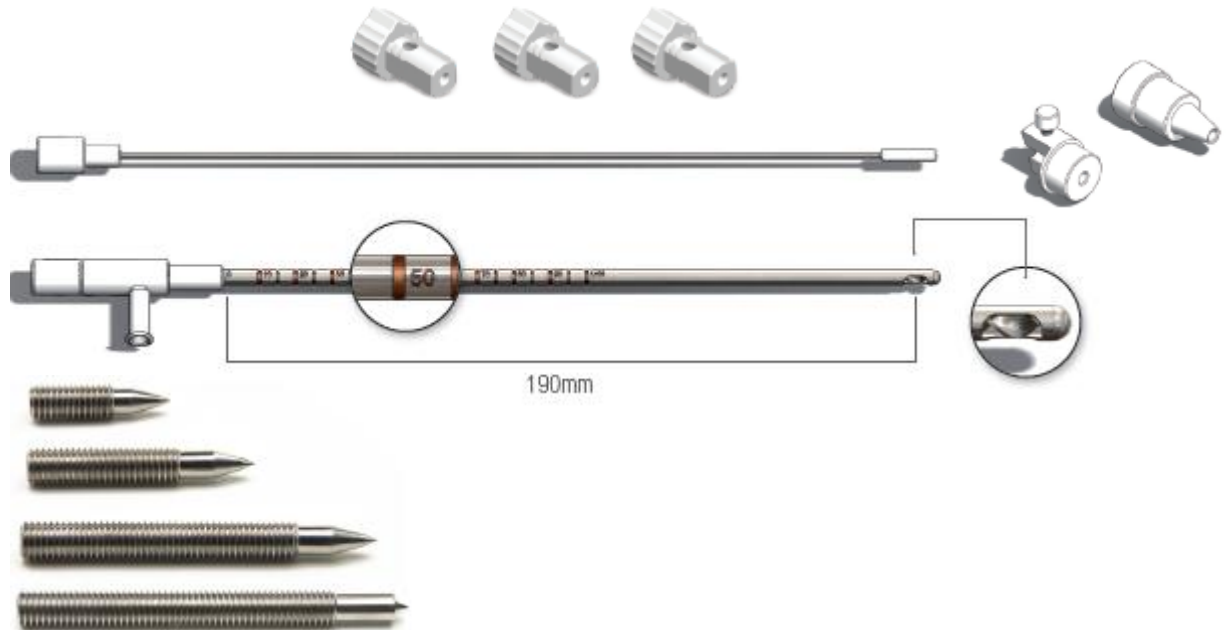


Disposable Set for

Catheter and Probe Placement*



Disposable Set for
Haematoma Evacuation*



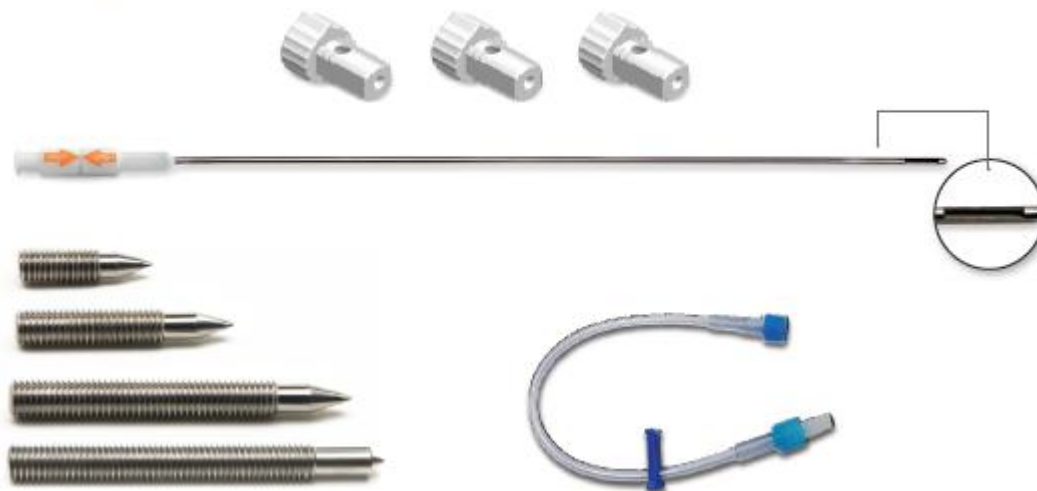
Disposable Set for
Guided Surgery*



Disposable Set for
Abscess Evacuation*



Disposable Set for
Biopsy*



Disposable Set for
Neuroendoscopy*

